

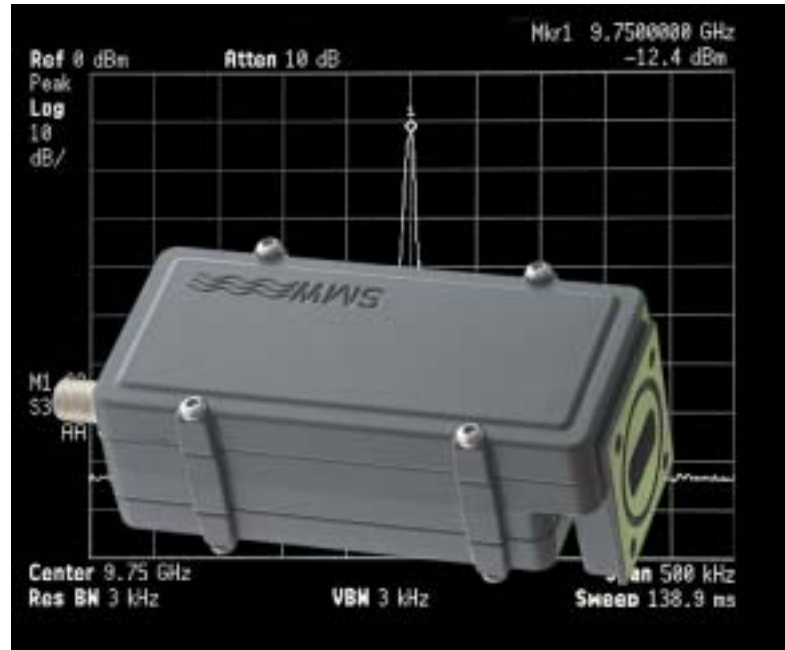
PLL-LNB \pm 300 kHz

Features:

- Low cost***
- High LO Stability***
- Low Phase Noise***
- Low Noise Figure***
- Wide Frequency Range***
- F- or N-connector***
- Two-year warranty***

Options:

- Selected LO Stability***
- Customized gain & variation***
- Sep. DC power input***
- Customized LO frequency***
- SMA output connector***
- Extended Frequency Range***



All our LNBS are individually hand tuned to get the very best performance available for each unit. Quality and long term reliability is also essential. Therefore are all LNBS tested according to a very extensive test program, which includes heating, cooling, water-proof testing and rigorous electrical testing.

Swedish Microwave was founded 1986 and, within Europe, is the oldest manufacturer of LNBS. In the standard product range we have DRO-LNBS, PLL-LNBS, LNAs, Block Downconverters (BDC), Up- & Down Converters, Quattro LNBS, Twin LNBS, Ortho mode transducers (OMT), Line Amplifiers and Feed horns.

Swedish Microwave is today one of the leading manufacturers of microwave components needed for satellite receiving equipment and other industrial products.

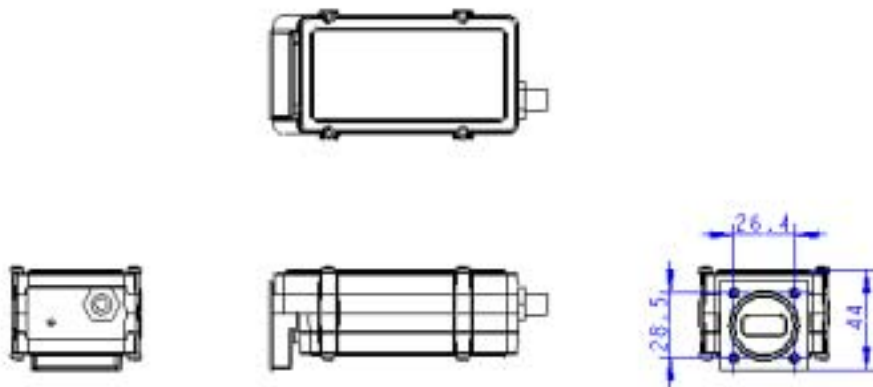
Specification SMW PLL-LNB

SMW PLL	9.75 GHz	10.0 GHz	10.25 GHz	10.6 GHz	10.75 GHz
Frequency range	10.7 - 11.8 GHz	10.95 - 12.1 GHz	11.2 - 11.7 GHz	11.7 - 12.75 GHz	11.7 - 12.75 GHz
LO frequency	9.75 GHz	10.0 GHz	10.25 GHz	10.6 GHz	10.75 GHz
Output frequency	950 - 2050 MHz	950 - 2100 MHz	950 - 1450 MHz	1100 - 2150 MHz	950 - 2000 MHz

SMW PLL	11.2 GHz	11.25 GHz	11.3 GHz	11.475 GHz
Frequency range	12.2 - 12.75 GHz	12.2 - 12.75 GHz	12.25 - 12.75 GHz	12.5 - 12.75 GHz
LO frequency	11.2 GHz	11.25 GHz	11.3 GHz	11.475 GHz
Output frequency	1000 - 1550 MHz	950 - 1500 MHz	950 - 1450 MHz	1025 - 1275 MHz

General Specification

LO Stability (over temp.)	± 300 kHz
Gain typ.	54 dB
Gain variation	± 4 dB within the band ± 0.4 dB within 30 MHz
Noise Figure, typical	0.8 dB
LO Phase noise typical	-75 dBc @ 1 kHz -80 dBc @ 5 kHz -85 dBc @ 10 kHz -110 dBc @ 100 kHz -120 dBc @ >1 MHz
LO radiation	-60 dBm
Image rejection	40 dB min
1 dB gain compression point	+5 dBm
Input	WR-75 waveguide (R120)
Output (waterproof)	F-connector 75 ohm or N-connector 50 ohm
Output VSWR	2.1:1 max
DC power	12 - 24 V 250 mA max
Operating temperature	-30 to +60°C
Dimensions	122 (127 N) x 57 x 54 mm
Weight	329 g (F-connector) 345 g (N-connector)
Options	Selected LO Stability Customized gain and variation Sep. DC power input Customized LO frequency SMA output connector (waterproof) Extended frequency range e.g. LO 11.3 with 12.25 - 13.25 GHz
Enclosed accessories	O-ring Screw M4 x 8 4 pcs Small M4 key



Box 230
591 23 MOTALA, SWEDEN
Tel. +46 141 21 61 35
Fax. +46 141 21 52 24
e-mail: info@smw.se
Website: <http://www.smw.se>

